

SELF-FLASHING

CURB-MOUNT

DOMES

FLAT GLASS

PYRAMIDS



INSTALLATION INSTRUCTIONS

The installation of a SKYLINE SKY-LITE can be easily accomplished by the do-it-yourselfer with tools most homeowners have on hand.

You should read these pages carefully to fully understand the procedures involved **BEFORE YOU START!**

TOOLS you will need include: Hammer, chalk line, ladder, carpenter's square, utility knife, power or hand saw, saber saw, electric drill, trowel, crow bar, measuring tape and level.

MATERIALS should include: Roof mastic, nails, silicone caulk, insulation, and lumber for framing the light shaft. If you've selected a curb mount skylight, additional lumber for the curb as well as metal flashing material or Skyline's step flashing package will also be required. Reference page 4 for instructions covering Skyline's step flashing package.

SELF FLASHING SKY-LITES are easy to install and with Skyline's THERMALITE (PVC) frame, the greatest insulation qualities in the industry can be attained.

CURB-MOUNT SKY-LITES are also available in the THERMALITE frame design. These units are typically the most economical at the time of purchase. Metal flashing up the full height of the curb is a necessity and can either be fabricated by the installer or Skyline's fully fabricated step flashing package may be used.

Both the Self Flashing and Curb Mount designs are offered in SKYLINE'S aluminum frames which have been a standard of the industry for many years. Various glazing options of either acrylic or glass are available. See our complete catalog for detailed information covering these products.

Attics must be inspected to be certain that electrical wiring, plumbing or vent pipes do not interfere with the space required for the light shaft. If this occurs you may need to acquire the services of an electrician or plumber to relocate these services.

Because Laws, building codes, and safety requirements vary greatly and are always subject to change, SKYLINE assumes no obligation whatsoever for compliance with same.

In handling your SKYLINE SKY-LITES, care should be used to avoid scratching glazings or damaging exposed portions of frame.

CALL TOLL FREE

866-625-1330

FOR ASSISTANCE

2925 Delta Drive

Colorado Springs, CO 80910

(719) 392-4220

Fax (719) 392-4685

INDEX:

Pg 2 **ROOF PREPARATION**

Pg 3 **LIGHT SHAFT DESIGN & CONST.**

Pg 4 **CURB-MOUNT INSTALLATION**

Pg 5 **SELF-FLASHING INSTALLATION**

Pg 6 **GENERAL INFORMATION**

SKY-LITE

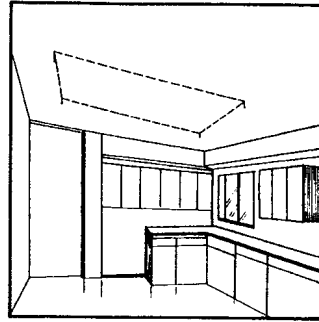
LOCATION

&

ROOF

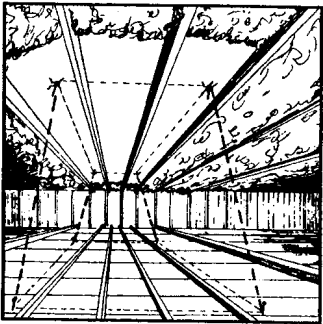
PREPARATION

ALL MODELS



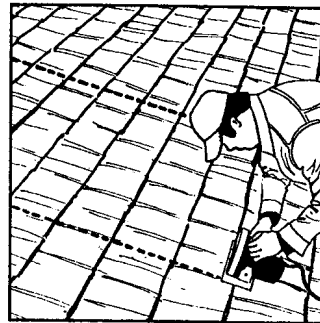
1

Decide where you would like the opening in the ceiling. This decision must be based on the rafter spacing and attic space. After the location is determined, mark the four corners with nails and use a chalk line to outline the space to be cut out from the ceiling, as in illustration.



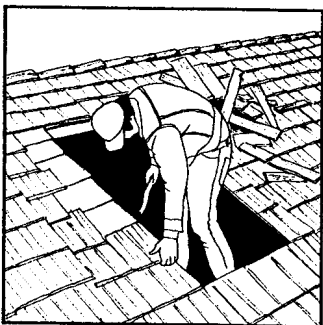
2

Using nails in ceiling as guides, determine location of SKY-LITE on roof. With string attached to ceiling rafters, locate the downslope side of the SKY-LITE opening in the roof. Next, measure up the rafters the appropriate distance to conform with the rough opening dimensions of the SKY-LITE you are installing. Drive a nail through the roof sheathing and shingles at each corner.



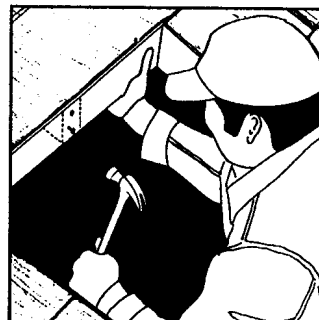
3

Proceed to roof and, using nails driven from below, mark cut-out on roof with chalk line. Be sure space marked out is square and matches the rough opening dimensions of the SKY-LITE model you selected. Cut opening in roof and remove shingles and sheathing leaving opening for SKY-LITE.



4

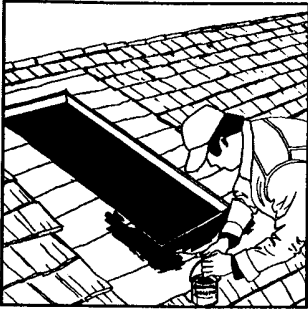
Remove shingles approximately 12" out from opening on sides and top, and 2" out from lower side. Roofing paper must be left in place without being torn or removed.



5

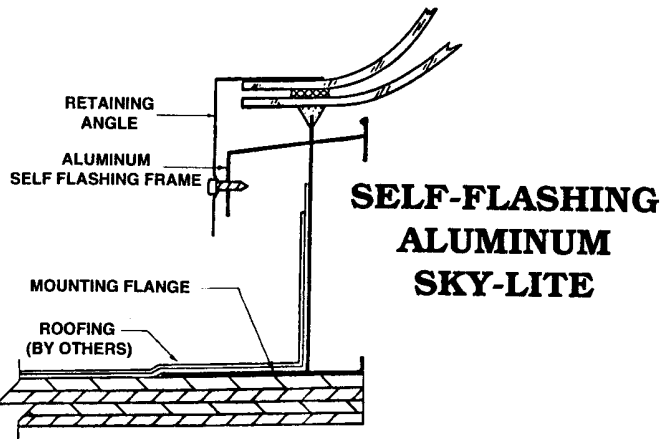
Place plywood and/or boards on ceiling rafters to provide standing place while installing headers between roof rafters. Install headers so inside dimension conforms to the inside dimension of your SKY-LITE. If more than one rafter is removed a double header should be installed.

SELF-FLASHING INSTALLATION INSTRUCTIONS



1

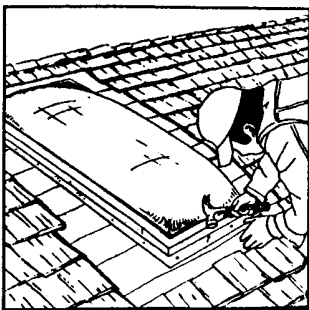
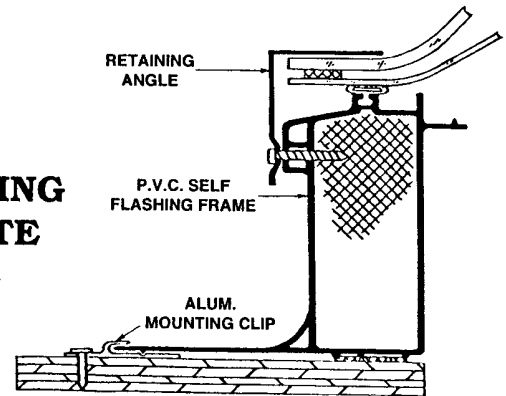
Place a 1/4" thick by 3" to 4" wide layer of roof mastic around opening. Leave an area about 1/2" wide at edge of opening without mastic.



2

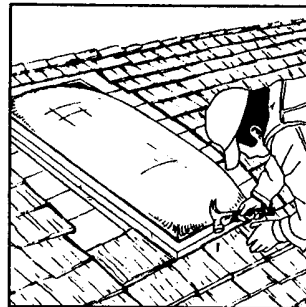
Place SKY-LITE over opening, making sure inside of SKY-LITE frame aligns with opening in roof. On vented SKY-LITES make sure that hinged side is at top. Bottom flange of SKY-LITES should be over top edge of shingles on lower side.

SELF-FLASHING THERMALITE SKY-LITE



3

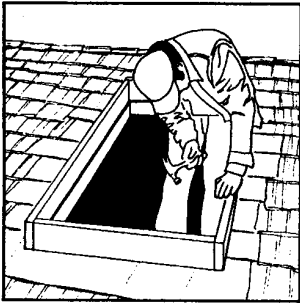
Nail through pre-drilled holes in SKY-LITE flange into sheathing. Place wide layer of roof mastic on flange and extend 2" onto roof.



4

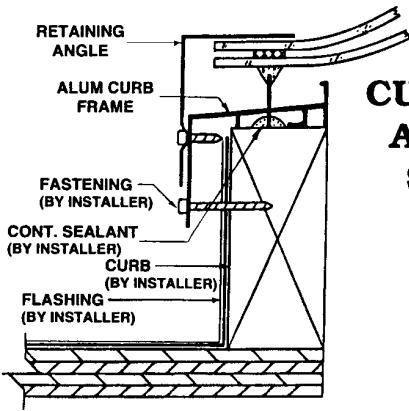
Reinstall shingles by starting at bottom. Nail shingles carefully to realign with each row. Press each shingle into roof mastic bringing each one up to vertical side of SKY-LITE frame. (Optional: Cement shingles over lower flange to provide finished appearance.)

CURB-MOUNT INSTALLATION INSTRUCTIONS

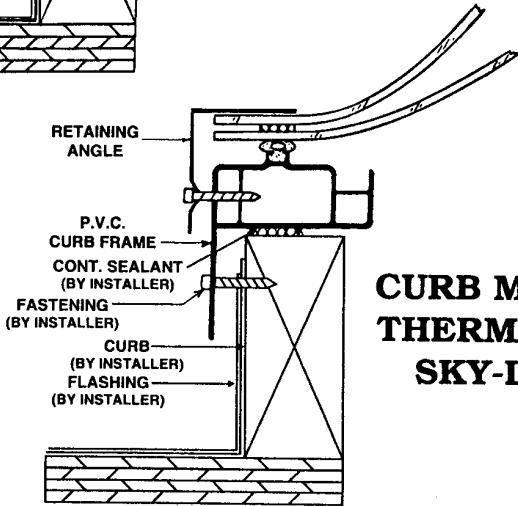


1

Your curb should be pre-built square and inside dimensions should be the same as the inside curb dimensions of the SKY-LITE you are installing. Reconfirm that curb is square before placing onto roof. Next, place curb on roof around opening and toenail through roof sheathing into rafters and headers below.



**CURB MOUNT
ALUMINUM
SKY-LITE**

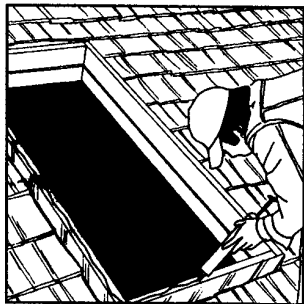


**CURB MOUNT
THERMALITE
SKY-LITE**



2

Aluminum or galvanized sheet metal should be used for flashing. For roof pitches flatter than 4 in 12 a one piece flashing as shown must be used. For roof pitches 4 in 12 or greater we recommend our step flashing package as shown on pages 4 & 5.



4

Place 3/8" diameter bead of caulk on top of curb. This will fill any irregularities between curb and SKY-LITE frame and make an air tight seal.



3

Replace shingles to come up to vertical side of flashing. (Optional: Cement shingles at bottom of curb to cover flashing and give a finished appearance.)

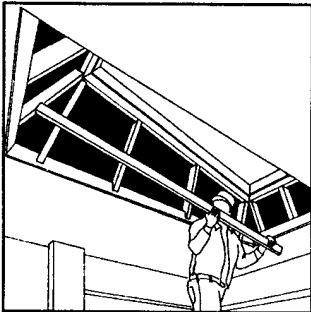


5

With larger size SKY-LITES you may need assistance to get your SKY-LITE to the roof and place it on the curb. After SKY-LITE is in place on the curb, attach to curb with wood screws through holes provided on SKY-LITE frame.

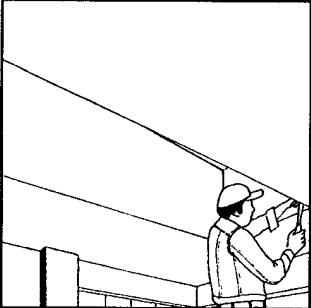
LIGHT SHAFT DESIGN AND CONSTRUCTION

FRAMING LAYOUTS AND DIMENSIONS:



1

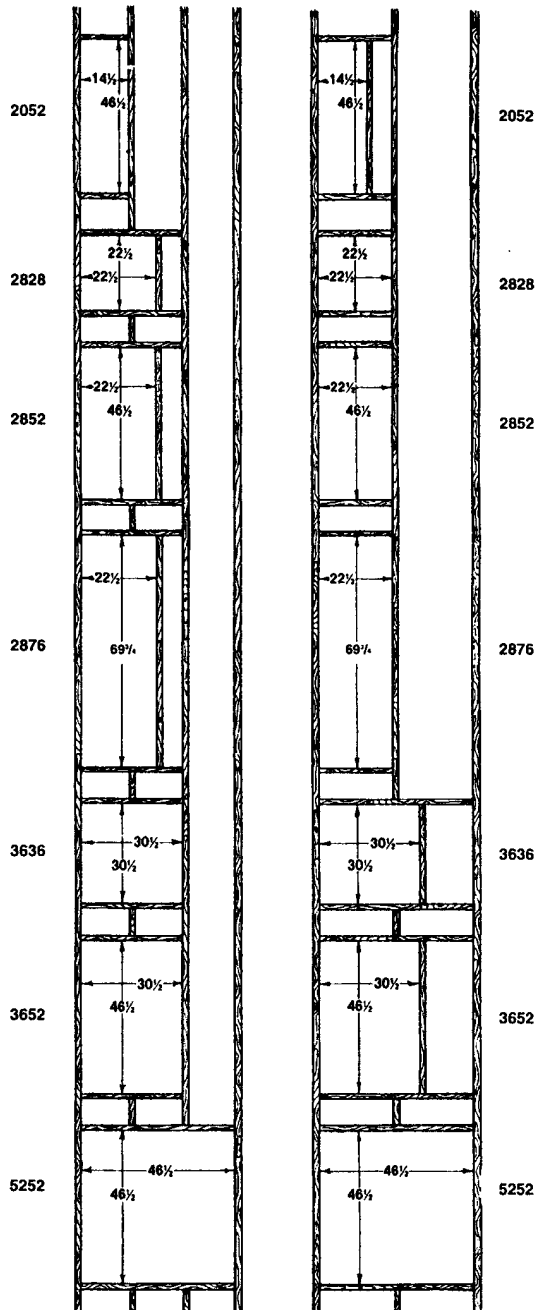
SKY-LITE shafts through attic areas may be designed with (A) vertical walls, (B) splayed walls or a combination thereof. Install studs and insulation on attic side of shaft. Then finish room side of shaft with drywall and other desired finish materials. The lighter the color used the better the light distribution will be.



2

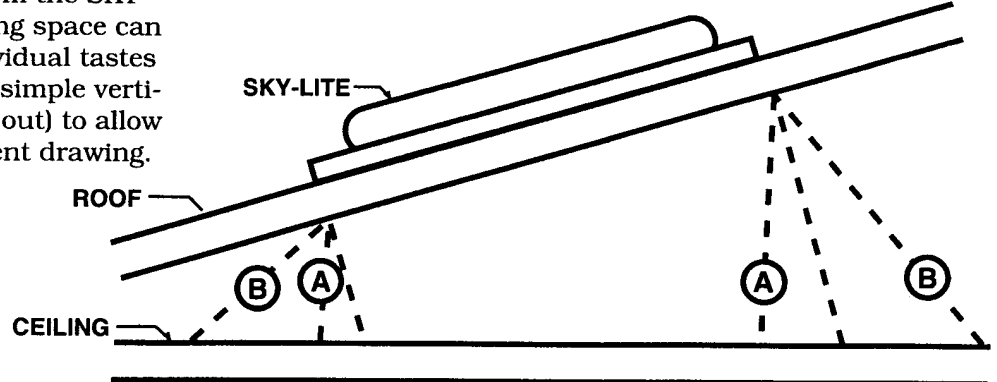
BUILDING A LIGHT SHAFT

Constructing a light shaft from the SKY-LITE in your roof to your living space can be accomplished to suit individual tastes or needs. The shaft can be a simple vertical shape or splayed (spread out) to allow for more light. See the adjacent drawing.



16" ON CENTER RAFTER DIMENSIONS

24" ON CENTER RAFTER DIMENSIONS



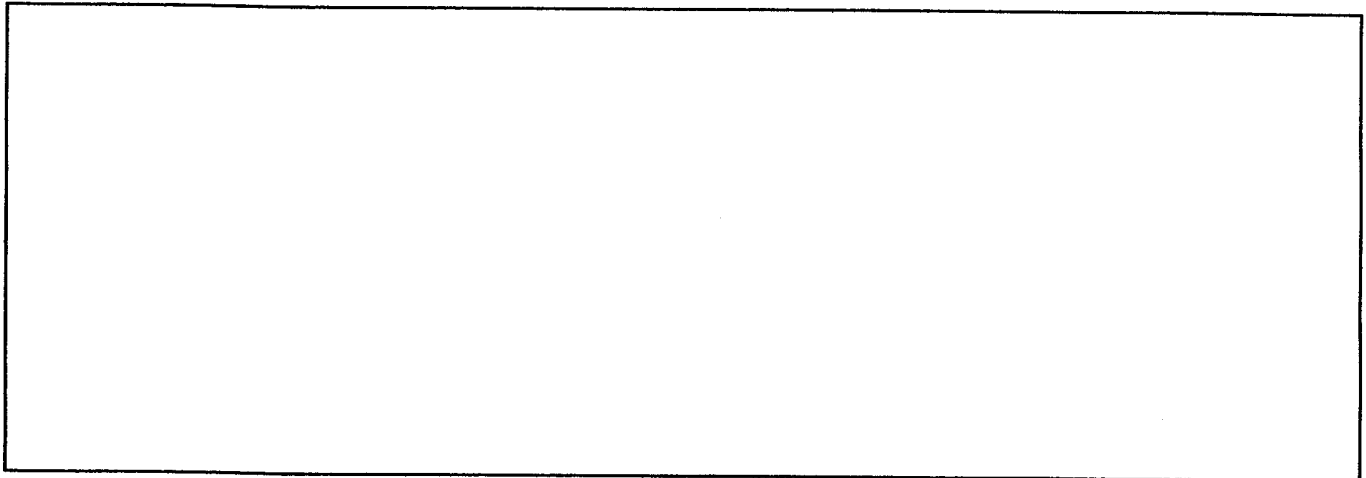
SKYLINE SKY-LITES reserves the right to make product changes without prior notice.

Product performance depends on professional installation procedures as described herein. **SKYLINE SKY-LITES** accepts no responsibility for the improper installation of our products.

SKYLINE SKY-LITES are manufactured to the most stringent design and manufacturing standards. Severe climatic conditions and/or extreme indoor humidity could produce conditions exceeding a products intended design performance. Should these items be of concern, please contact the factory for special design considerations.

CLEANING: SKY-LITES tend to be self-cleaning from normal rain conditions. If extremely dry conditions prevail most SKY-LITES can be cleaned by flushing with water and wiping with a chamois or soft cloth. Never use window cleaning solutions or abrasive cleaners on acrylic domes. Glass can be cleaned the same as any windows in your home. Try not to get any roof mastic or caulk on the glazing. However, kerosene or naphtha should help in its removal. Minor scratches can be removed by buffing and polishing on acrylic surfaces. Now that you have completed your SKY-LITE installation you can look forward to years of enjoyment.

DISTRIBUTED BY:



Instructions contained herein are given as general outline procedures, and are not intended to cover all possible installations.

SKYLINE SKY-LITES is a full line manufacturer of residential and commercial skylights. Our products are distributed nationally and have withstood the diverse weather conditions prevalent throughout the USA. Our products are made to the most stringent quality standards and, with proper installation, will provide many years of protection and enjoyment. Because laws, building codes, and safety requirements vary greatly and are always subject to change, SKYLINE assumes no obligation whatsoever for compliance with same.



TOLL FREE

866-625-1330

2925 Delta Drive
Colorado Springs, CO 80910

(719) 392-4220

Fax (719) 392-4685